

# Specifications for Approval

Customer Part No.:

Inhere Part No.: S1916CHAMGBT-001

Part Name: 1916 橙绿蓝三色 LED

Spec Issue Date: 2018-07-17

Revision No.: A

To Customer:

We submit herewith the following information for your approval:

- Sample
- OQC Inspection Record
- LED Dimension
- Electrical Characteristics Curve
- Internal Circuit Diagram
- Soldering recommendation

Prepared by: Lily

Date: 2018-07-17

Checked by: Tom

Date: 2018-07-17

Approved by: Wangxiaojun

Date: 2018-07-17

Customer Opinion

- Approve and no objection
- Reject with the following reason:

**inhere**   
light for your mind  
银河光电

东莞市银河光电有限公司  
DongGuan Inhere Opto CO.,LTD.  
地址:东莞市莞城科技园 D 幢  
ADD:Guancheng Science & Technology Park, DongGuan  
TEL: 0769-23320868 FAX: 0769-23320878  
E-mail: bill@inhereopto.com  
Http://www.inhereopto.com

## Features

1.9mm x 1.6mm SMD LED, 0.8mm thickness

Low power consumption

Wide view angle

Package: 3000pcs/reel

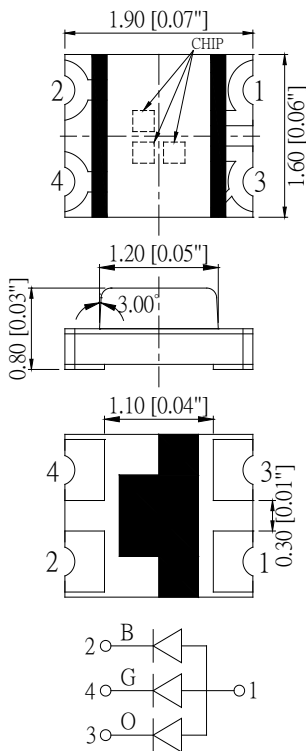
RoHS Compliant

## Applications

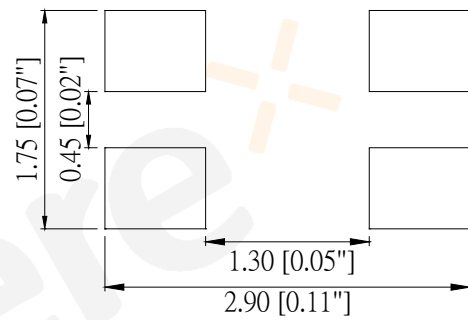
Ideal for back light and indicator

Various colors and lens types available

## Package outlines



## Recommend Pad Layout



Part No.	Emitted color	Dice	Lens color
S1916CHAMGBT-001	Orange	AlGaInP	Water transparent
	Green	InGaN/GaN	
	Blue	InGaN/GaN	

### Notes:

1. All dimensions are in millimeters (inches);
2. Tolerances are  $\pm 0.1\text{mm}$  (0.004inch) unless otherwise noted.

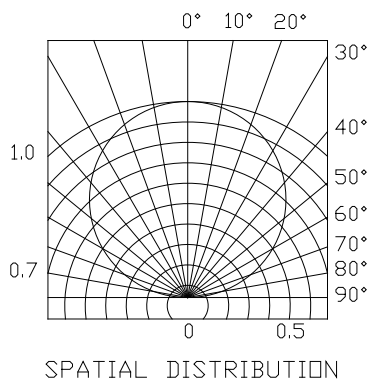
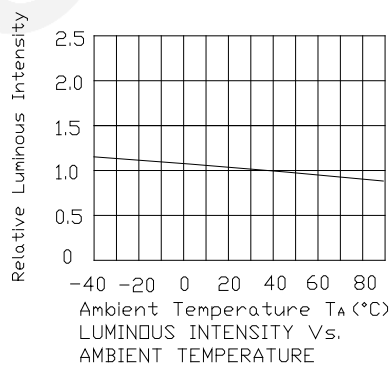
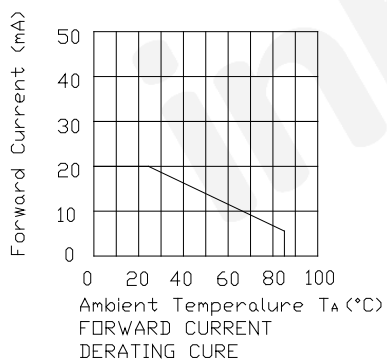
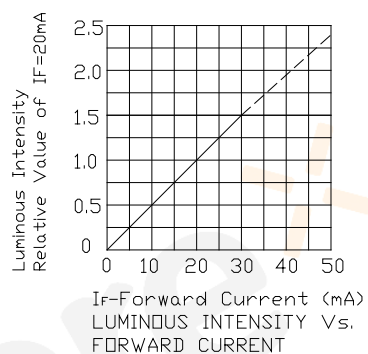
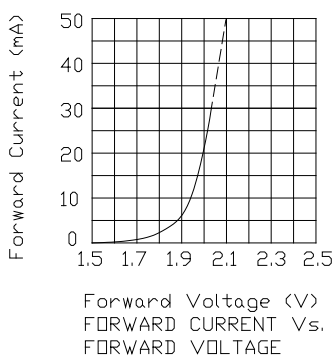
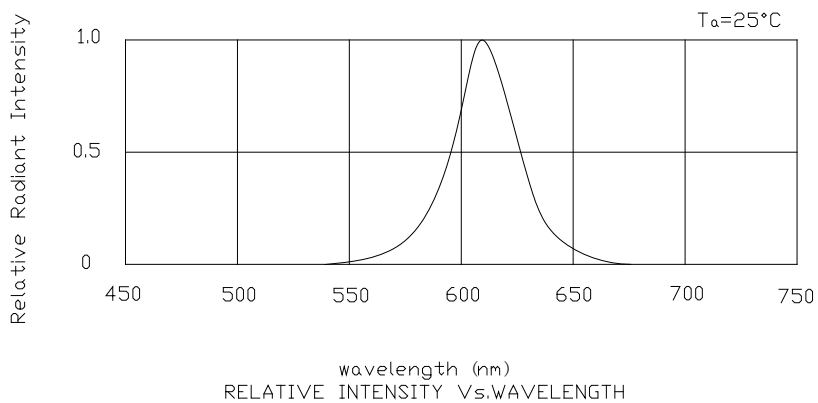
**Absolute Maximum Ratings (Ta=25°C)**

Parameter	Symbol	Value			Unit
		O	G	B	
Power dissipation	Pd	72	111	111	mW
Forward current	If	30			mA
Reverse voltage	Vr	5			V
Operating temperature	Top	-40 ~+80			°C
Storage temperature	Tstg	-40 ~+85			°C
Peak pulsing current (1/8 duty f=1kHz)	Ifp	125			mA

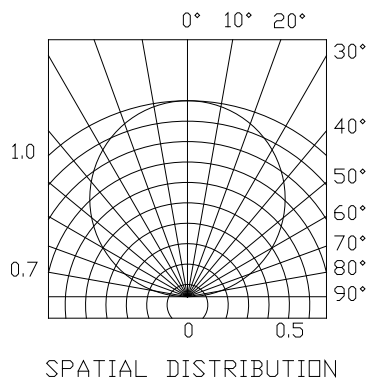
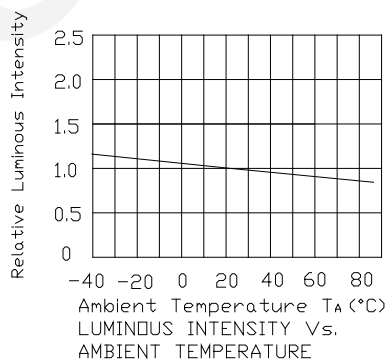
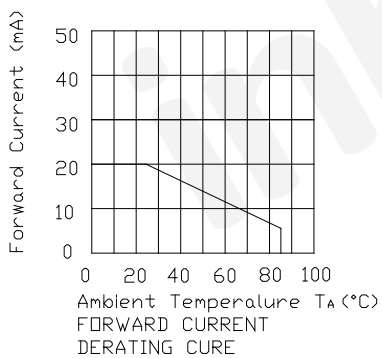
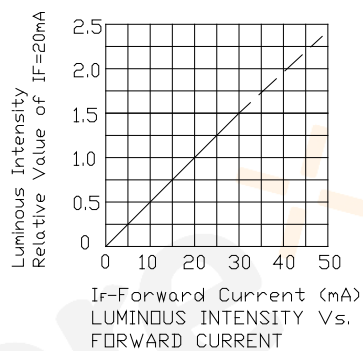
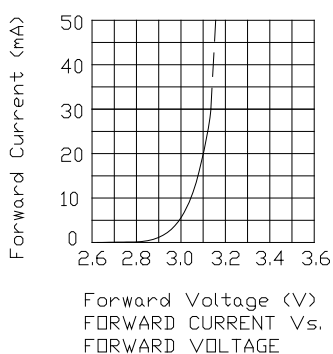
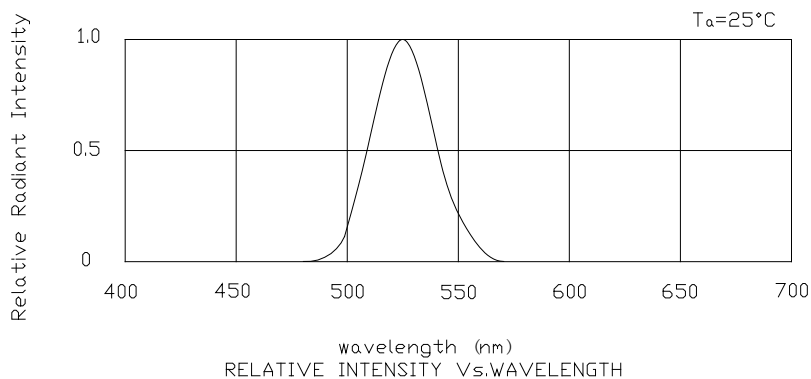
**Electro-Optical Characteristics (Ta=25°C)**

Parameter	Test Condition	Symbol	Value			Unit
			Min	Typ	Max	
Wavelength at peak emission	If=20mA	O	--	610	--	nm
		G	--	516	--	
		B	--	465	--	
Spectral half bandwidth	If=20mA	O	--	20	--	nm
		G	--	33	--	
		B	--	25	--	
Dominant wavelength	If=20mA	O	600	--	610	nm
		G	520	--	530	
		B	465	--	475	
Forward voltage	If=20mA	O	1.8	--	2.4	V
		G	2.8	--	3.7	
		B	2.8	--	3.7	
Luminous intensity	If=20mA	O	100	160	--	mcd
		G	320	500	--	
		B	100	160	--	
Viewing angle at 50% Iv	If=10mA	2 <sup>θ</sup> 1/2	--	120	--	Deg
Reverse current	Vr=5V	Ir	--	--	10	μA

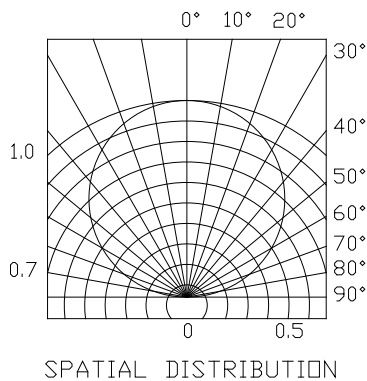
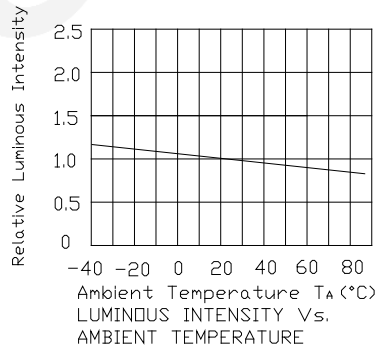
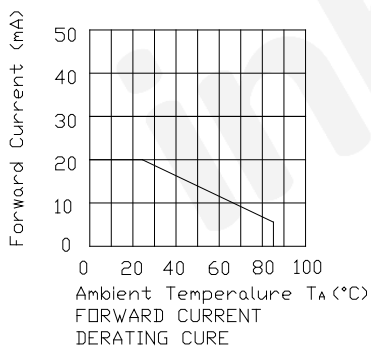
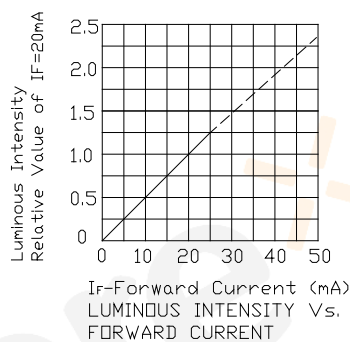
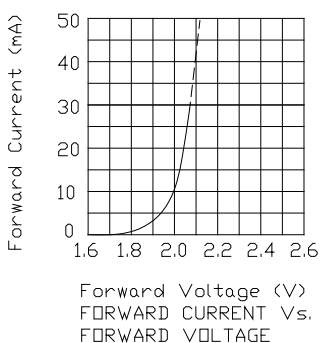
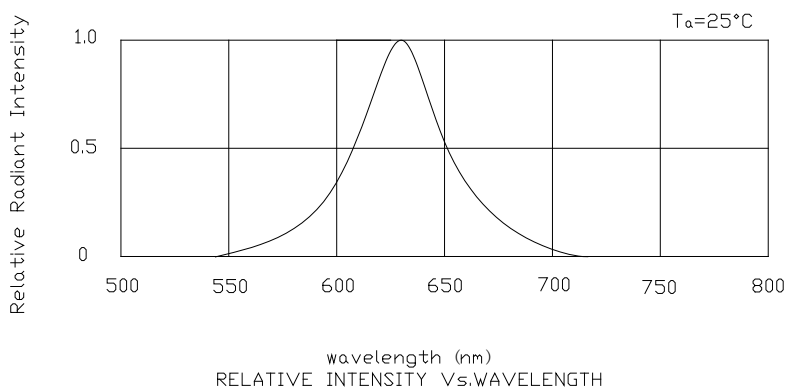
**Optical Characteristic Curves (Orange)**



### Optical Characteristic Curves (Green)

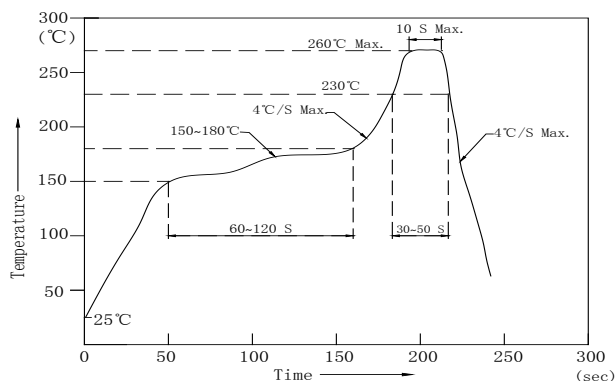


### Optical Characteristic Curves (Blue)



## Reflow Profile

### ■ Reflow Temp/Time



### Notes:

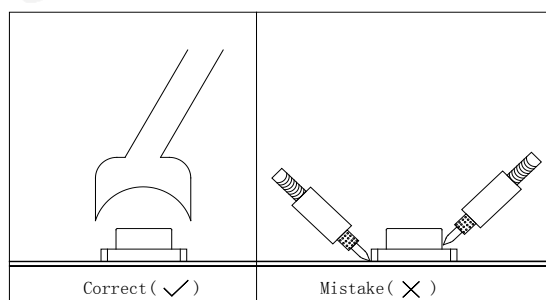
1. We recommend the reflow temperature 245°C ( $\pm 5^{\circ}\text{C}$ ).the maximum soldering temperature should be limited to 260°C.
2. Don't cause stress to the epoxy resin while it is exposed to high temperature.
3. Number of reflow process shall be 2 times or less.

### ■Soldering iron

Basic spec is  $\leq 5\text{sec}$  when  $320^{\circ}\text{C}$  ( $\pm 20^{\circ}\text{C}$ ). If temperature is higher, time should be shorter ( $+10^{\circ}\text{C} \rightarrow -1\text{sec}$ ). Power dissipation of iron should be smaller than 20W, and temperatures should be controllable .Surface temperature of the device should be under  $350^{\circ}\text{C}$ .

### ■Rework

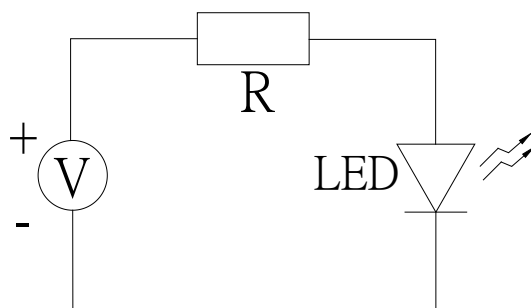
1. Customer must finish rework within 5 sec under  $340^{\circ}\text{C}$ .
2. The head of iron cannot touch copper foil
3. Twin-head type is preferred.



- Avoid rubbing or scraping the resin by any object, during high temperature, for example reflow solder etc.

## Test circuit and handling precautions

### ■ Test circuit



### ■ Handling precautions

#### 1. Over-current-proof

Customer must apply resistors for protection; otherwise slight voltage shift will cause big current change (Burn out will happen).

#### 2. Storage

##### 2.1 It is recommended to store the products in the following conditions:

Humidity: 60% R.H. Max.

Temperature: 5°C~30°C

2.2 Shelf life in sealed bag: 12 month at <math>< 5^{\circ}\text{C}\sim 30^{\circ}\text{C}</math> and <math>< 30\% \text{ R.H.}</math> after the package is opened, the products should be used within a week or they should be keeping to stored at  $\leq 20$  R.H. with zip-lock sealed.

#### 3. Baking

It is recommended to baking before soldering when the pack is unsealed after 72hrs. The Conditions are as followings:

3.1  $60\pm 3^{\circ}\text{C}$  x (12~24hrs) and <math>< 5\% \text{RH}</math>, taped reel type

3.2  $100\pm 3^{\circ}\text{C}$  x (45min~1hr), bulk type

3.3  $130\pm 3^{\circ}\text{C}$  x (15~30min), bulk type



### Test Items and Results of Reliability

Test Item	Test Conditions	Standard Test Method	Note	Number of Test
Reflow Soldering	Ta=260±5℃,Time=10±2S	JB/T 10845-2008	3times	0/22
Salt Atmosphere	Ta=35±3℃,PH=6.5~7.2	GB/T 2423.17-2008	24hrs	0/22
Temperature Cycling	-40±5℃ 30±1min ↑→(25℃/5±1min)↓ 100±5℃ 30±1min	GB/T 2423.22-2012	100cycles	0/22
Thermal Shock	Ta=-40±5℃~100±5℃, 15±1min dwell	GB/T 2423.22-2012	100cycles	0/22
High Humidity High Temp. Cycling	Ta=30±5℃~65±5℃, 90±5%RH,24hrs/1cycle	GB/T 2423.4-2008	10cycles	0/22
High Humidity High Temp. Storage Life	Ta=85±5℃,ψ(%)=85±5%RH	GB/T 2423.3-2006	1000hrs	0/22
High Temperature Storage Life	Ta=100±5℃,non-operating	GB/T 2423.2-2008	1000hrs	0/22
Low Temperature Storage Life	Ta=-40±5℃,non-operating	GB/T 2423.1-2008	1000hrs	0/22
Life Test	Ta=26±5℃,@20mA, ψ(%)=25%RH~55%RH	--	1000hrs	0/22
High Humidity High Temp. Operating Life	Ta=85±5℃,@20mA, ψ(%)=85%RH	GB/T 2423.3-2006	500hrs	0/22
Low Temperature Operating Life	Ta=-20±5℃,@20mA	GB/T 2423.1-2008	1000hrs	0/22

**Forward Voltage Rank Combination (IF=20mA)**

Rank		Min.	Max.	Unit
Orange	□	1.8	2.4	V
Green	f	2.8	3.1	
	g	3.1	3.4	
	h	3.4	3.7	
Blue	f	2.8	3.1	
	g	3.1	3.4	
	h	3.4	3.7	

**Luminous Intensity Rank Combination (IF=20mA)**

Rank		Min.	Max.	Unit
Orange	J	100	125	mcd
	K	125	160	
	L	160	200	
	M	200	250	
	N	250	--	
Green	O	320	400	
	P	400	500	
	Q	500	630	
	R	630	800	
	S	800	--	
Blue	J	100	125	
	K	125	160	
	L	160	200	
	M	200	250	
	N	250	--	

**Dominant wavelength Rank Combination (IF=20mA)**

Rank		Min.	Max.	Unit
Orange	p	600	605	nm
	q	605	610	
Green	U	520	522.5	
	V	522.5	525	
	W	525	527.5	
	X	527.5	530	
Blue	G	465	467.5	
	H	467.5	470	
	I	470	472.5	
	J	472.5	475	

**Group Name on Label ( Example DATA: □Lp gQV gJG 20 )**

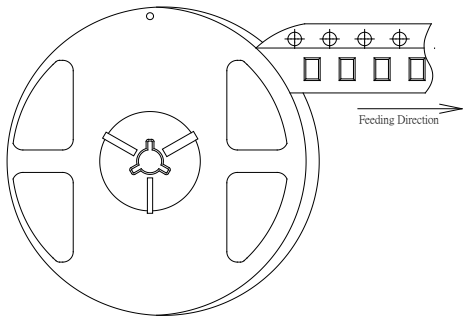
DATA: □Lp gQV gJG 20		Vf(V)	Iv (mcd)	λd (nm)	Test Condition
Orange	□→L→p→20	1.8~2.4	160~200	600~605	IF=20mA
Green	g→Q→V→20	3.1~3.4	500~630	522.5~525	
Blue	g→J→G→20	3.1~3.4	100~125	465~467.5	

**Notes:**

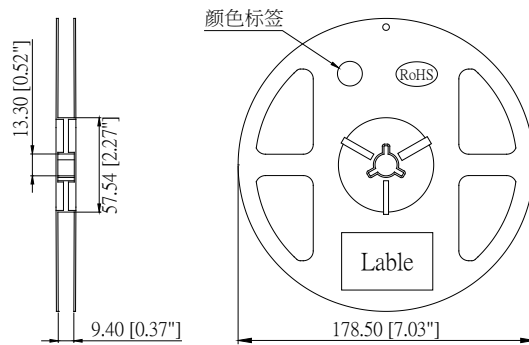
- 1.The tolerance of luminous intensity (Iv )is ±15 % .
2. The tolerance of dominant wavelength is ±1nm.
3. This specification is preliminary.
4. This specification is a standard specification of our factory, can make in accordance with customer's special requirement.

# 1916 Series SMD Chip LED Lamps Packaging Specifications

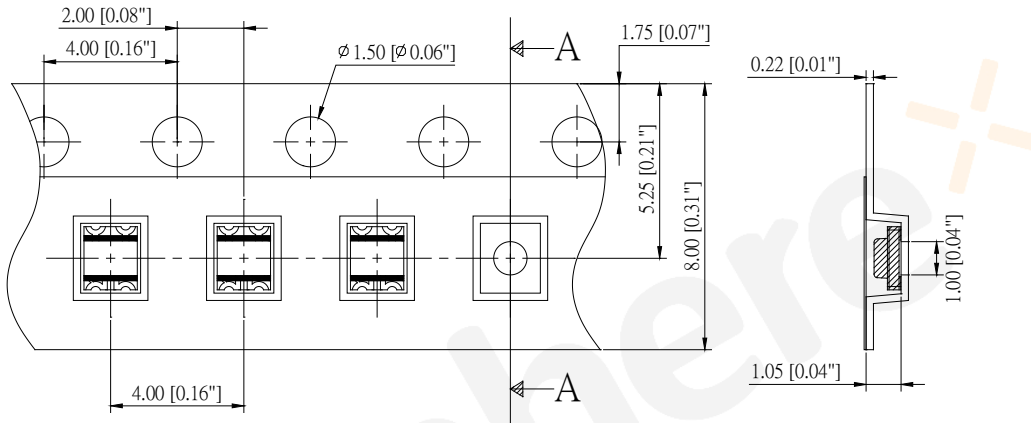
● Feeding Direction



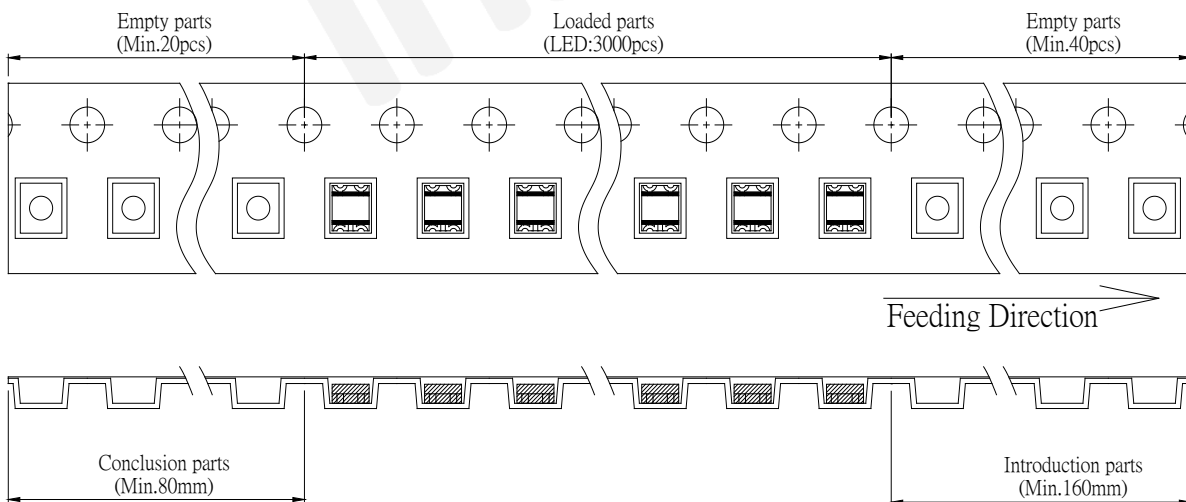
● Dimensions of Reel (Unit: mm)



● Dimensions of Tape (Unit: mm)



● Arrangement of Tape

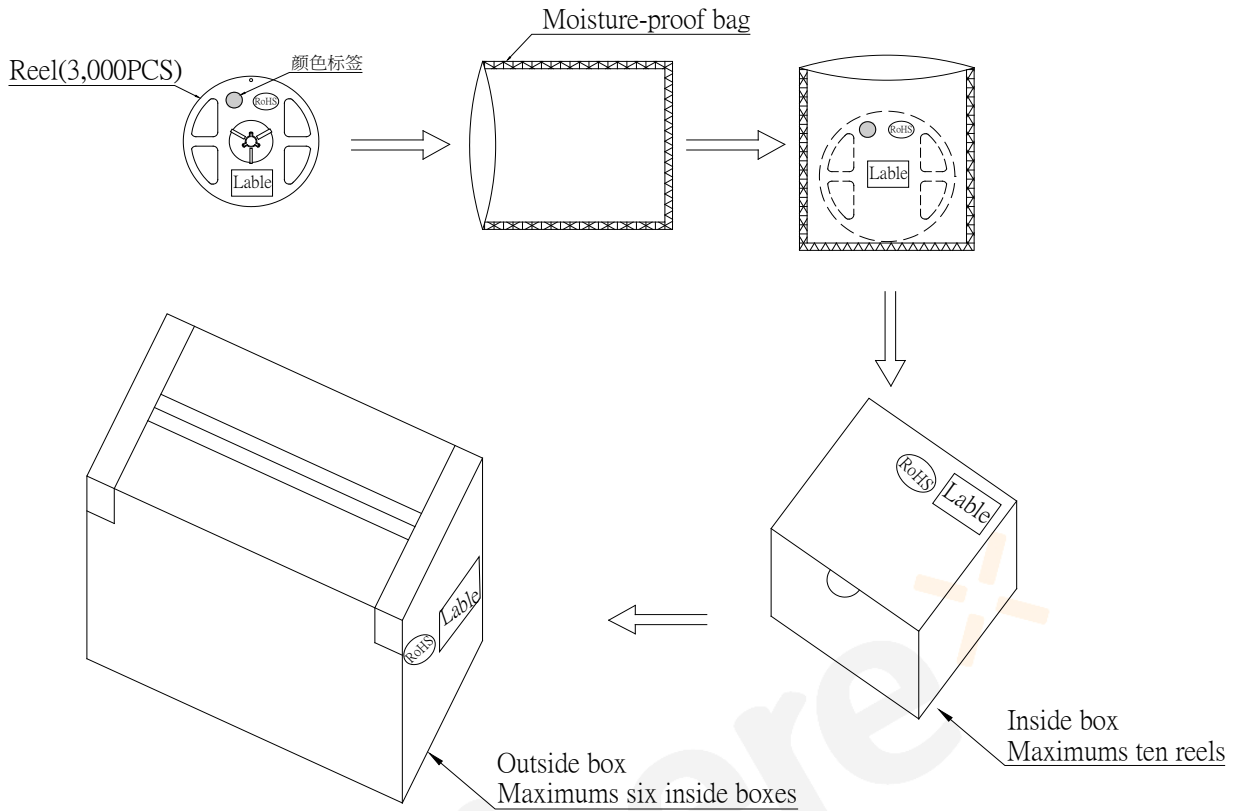


Notes:

1. Empty component pockets are sealed with top cover tape;
2. The maximum number of missing lamps is two;
3. The cathode is oriented towards the tape sprocket hole in accordance with ANSI/EIA RS-481 specifications.
4. 3,000pcs/Reel.

## 1916 Series SMD Chip LED Lamps Packaging Specifications

- Packaging specifications



### Notes:

Reeled products (numbers of products are 3,000pcs) packed in a seal off moisture-proof bag along with a desiccant one by one, ten moisture-proof bag of maximums (total maximum number of products are 30,000pcs) packed in an inside box (about size: 240x 230x 130mm) and four inside boxes of maximums are put in the outside box (about size: 545mm x 260mm x 250mm) Together with buffer material, and it is packed. (Part No., Lot No., quantity should appear on the label on the moisture-proof bag, part No. And quantity should appear on the label on the cardboard box.) The number of the loading steps of outside box (cardboard box) has it to three steps.